

A Single-chip Proportional to Absolute Temperature Sensor Using CMOS Technology

AL.AL, M. B. I. Reaz, S. M. A. Motakabber Mohd Alauddin Mohd Ali,

Abstract—Nowadays it is a trend for electronic circuit designers to integrate all system components on a single-chip. This paper proposed the design of a single-chip proportional to absolute temperature (PTAT) sensor including a voltage reference circuit using CEDEC 0.18 μ m CMOS Technology. It is a challenge to design a single-chip wide range linear response temperature sensor for many applications. The channel widths between the compensation transistor and the reference transistor are critical to design the PTAT temperature sensor circuit. The designed temperature sensor shows excellent linearity between -100°C to 200° and the sensitivity is about $0.05\text{mV}/^{\circ}\text{C}$. The chip is designed to operate with a single voltage source of 1.6V.

Keywords—PTAT, single-chip circuit, linear temperature sensor, CMOS technology.

I. INTRODUCTION

A simple CMOS PTAT circuit is shown in Figure 1 which is the basic foundation of a wide range of linear temperature sensors. A fully integrated CMOS PTAT [1] temperature sensor with a linear range of only between 32°C to 127°C , was designed through a complex structure using 27 elements including transistors and other components. The variation of voltage range due to temperature is only 1.6 V with a power supply of 3 V. A better linear response circuit [2], was designed using Independent PTAT Absolute Temperature (IOAT) sensor with a range of -55°C to 170°C . Its design was also complex and used many components. A simple CMOS temperature sensor of linear range only within -40°C to 140°C was designed and simulated [3] by using Mentor Graphics Toolkit (ADK-3) v2006.2_4.1 (2006.2b).

This paper proposed a simple CMOS PTAT sensor circuit with a wide range of linearity using only eight CMOS transistors. The circuit is developed based on CMOS current reference without resistance [4]. They propose, The construction of this type of PTAT circuit is similar to Figure 1. In addition an NMOS transistor is added in the circuit to compensate the

transistor current variation in PTAT circuit due to temperature, which results in better performance. This modification increases the compensation transistor linear response as well as the temperature sensor. Further a current reference and voltage reference circuits can improve the linearity of the sensor [5] furthermore, by adjusting the transistors channel width ratio (W_2/W_1) with supply voltage.

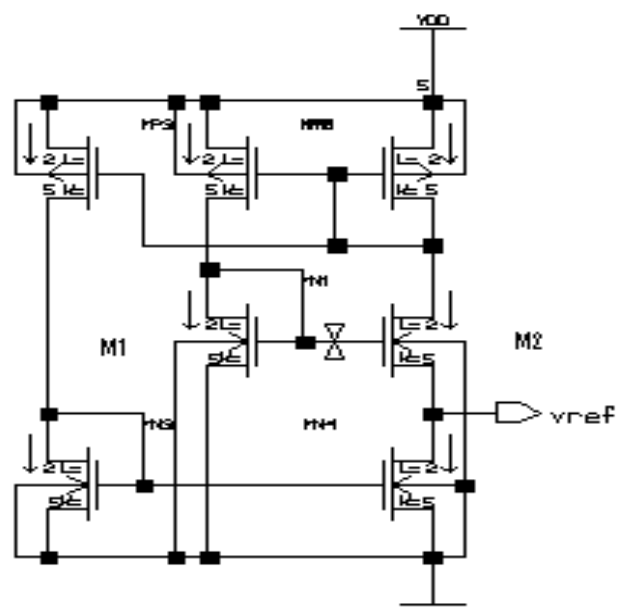


Fig. 1. Basic CMOS PTAT temperature sensors

II. METHODOLOGY

At first a schematic is drawn according to the basic PTAT temperature sensors as shown in Figure 1 using Mentor Graphics Toolkits (ADK-3) v2006.2_4.1 (2006.2b) and the design is verified by simulation. Initially a suitable width ratio (W_2/W_1) of the transistors is chosen and the supply voltage (VDD) is varied from 0.1 V to 3.0 V until is obtained the best linear response from the circuit.

In the second step, simulation is carried out by setting the voltage supply VDD as constant using the best range in the first step of simulation. The width W_1 of the transistor M1 and width W_2 is obtained M2 continue are adjusted until a best result. During this simulation the transistors width ratio W_2/W_1 is varied from 1 to 4 and the appropriate value which shows the best linear response and better sensitivity

AL.AL is a Phd student at System Design Lab, Department of Electrical, Electronic and Systems Engineering Faculty of Engineering and Built Environment Universiti Kebangsaan Malaysia 43600 UKM, Bangi, Selangor Malaysia Phone: +603-89216316 mobile: +60173305065 Email: al_mt62@yahoo.com

M. B. I. Reaz is Assoc. Professor of Department of Electrical, Electronic and Systems Engineering Faculty of Engineering and Built Environment Universiti Kebangsaan Malaysia 43600 UKM, Bangi, Selangor Malaysia Phone: +603-89216311 Fax: +603-89216146 Mobile: +6013-3819838 Email: mamun.reaz@gmail.com.

S. M. A. Motakabber, Doctor, Depart. of Electrical, Electronic and System Engineering, Faculty of Engineering and Built Environment, Universiti Kebangsaan Malaysia, 43600 UKM, Bangi, Selangor Malaysia, Phone: +60389216311 Fax: +60389216146 E-mail: motakabber@yahoo.com.

Mohd Alauddin Mohd Ali is the Director of Institute of Space Science, Prof. in Faculty of Engineering and Built Environment, Universiti Kebangsaan Malaysia 43600 UKM Bangi Selangor Malaysia, Phone: +603-89216853 Fax: +603-89216856 Email: mama@eng.ukm.my.

is selected. Then the optimal parameter values of the circuit are determined and the final circuit diagram for the PTAT temperature sensors is shown in Figure 2.

Third end final step of the simulation is carried out by using the optimal value of $W2/W1$ and VDD for the circuit shown in Figure 6. In this simulation industry standard liberty cell toolkit CEDEC for Silterra Version 2008.6 is used.

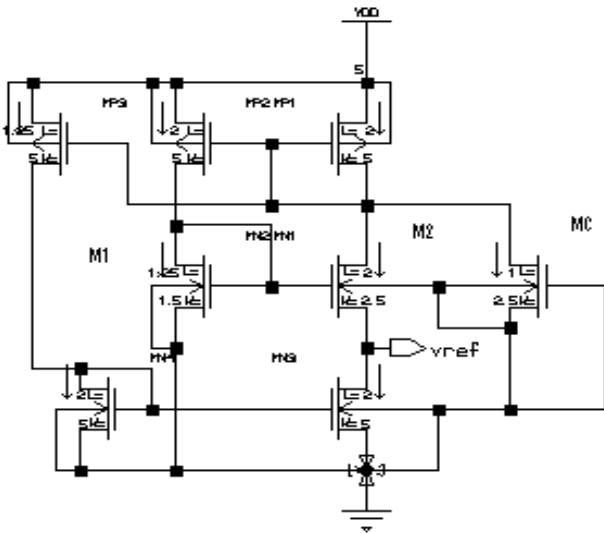


Fig. 2. CMOS PTAT temperature sensors with transistor Compensation

III. RESULTS AND DISCUSSION

Figure 3 shows the simulated graphical results of the basic PTAT temperature sensor with fixed value of $W2/W1$ and the supply voltage (VDD) varied from 0.1 V with increment of 0.25 V up to 3 V approximately. The linear response of the output voltage of the sensor increases with increase in the supply voltage. The graph shows that VDD has no effect to improve the linearity up to 60°C when the transistor length ratio $W2/W1$ remains fixed. The graphs in Figure 3 show that best sensitivity of the sensor is obtained when the supply voltage VDD is between 1.5 V to 3.0 V.

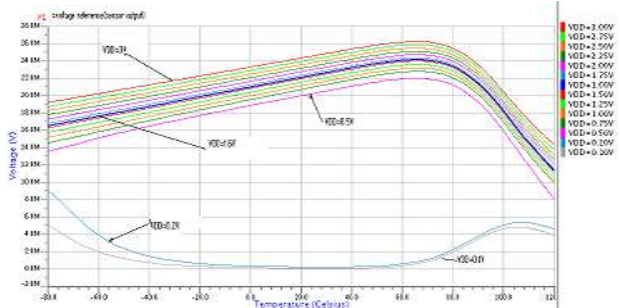


Fig. 3. The respond of the basic PTAT with various VDD

Figure 4 shows the output voltage response of the PTAT temperature sensors with fixed supply voltage VDD and

changing the transistor width ratio $W2/W1$ from 5 / 1 to 5 / 6 with a constant decrement. From this graphical result it is shown that best linearity and sensitivity are obtained when the transistors width ratio $W2/W1$ is 5 / 2.

Figure 5 shows the graphical result of the proposed PTAT temperature sensors with addition of the compensation transistor as shown in Figure 2, supply voltage VDD equals 1.6 volt and transistors width ratio $W2/W1$ equals 5/2. The result shows that the sensor linear range is extended from -40°C to 140°C. This simulation result is better than the simulation result obtained without using the compensation transistors.

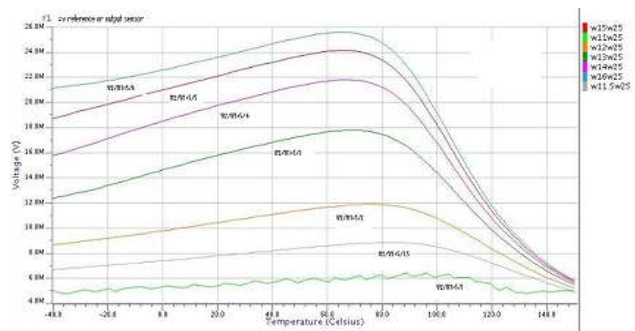


Fig. 4. The responds PTAT temperature sensors voltage reference with various of composition ($w2/w1$)

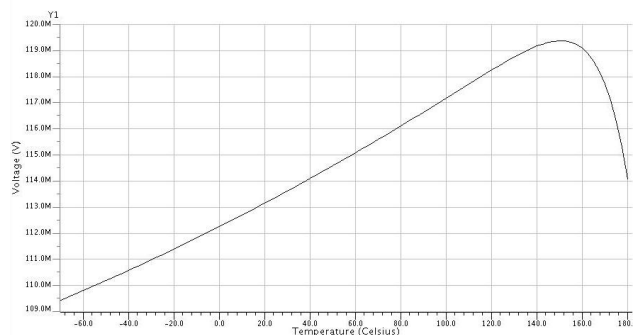


Fig. 5. The responds PTAT temperature sensors voltage reference with fix's Vdd

Figures 6 and 7 show the design and simulation results respectively when industry standard cell library toolkit CEDEC for Silterra version 2008.6 is used. Figure 7 shows the graphical result of the final proposed design. It is seen that the linear range of response is -100°C to 200°C which is much larger than previous works. The slope at any point on the response curve is the measure of sensitivity of the sensor. In the linear portion of the response curve as shown in Figure 7 the sensitivity of the sensor is measured as 0.05 mV/°C.

Figure 8 shows the chip layout design of the complete circuit including power supply and I/O pads, which occupied maximum 520x430 μm^2 of silicon area.

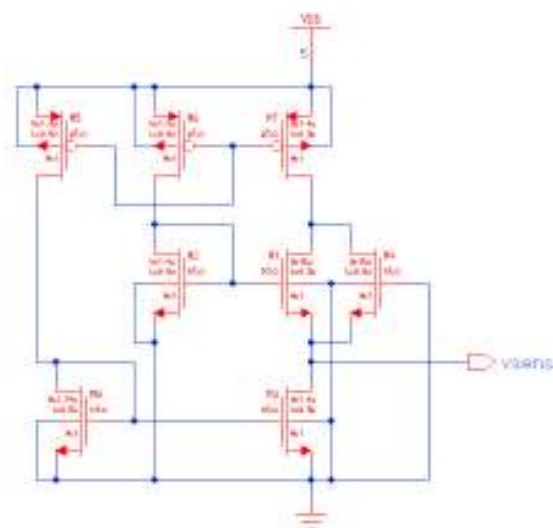


Fig. 6. Proposed CMOS PTAT temperature sensors with transistor compensation Cedec' Silterra design

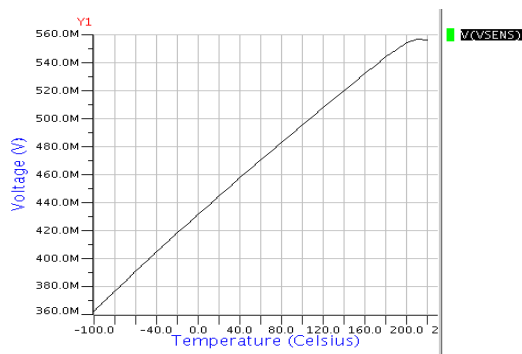


Fig. 7. The graph of responds PTAT temperature sensors voltage reference By Cedec' Silterra design

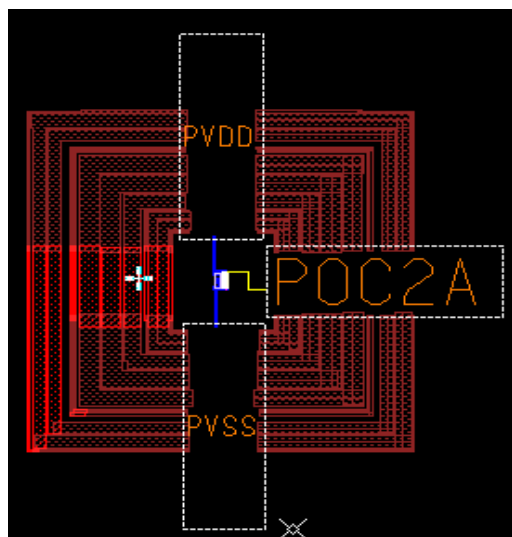


Fig. 8. Form a completed chip design

IV. CONCLUSION

A simple PTAT temperature sensor is designed and verified by simulation using Mentor Graphics VLSI design software. The final chip is designed by CEDEC industry standard I/O cell library for fabrication lab Silterra, Malaysia. The designed chip size is 520x430 μm^2 and consumes 8.5 μW power. The sensor shows excellent linear response in the temperature range between -100°C to 200°C . The sensitivity of the PTAT temperature sensors is $0.05 \text{ mV}/^\circ\text{C}$ when compensation CMOS transistors width ratio W_2/W_1 equals to $5/2$ and power supply equals to 1.6 V.

ACKNOWLEDGMENT

This research a funded by a grant from TF1008C130 Real Time Self-automated Intelligent Hardware Implementation of Energi Efficient Green Motion Controller Universiti Kebangsaan Malaysia.

REFERENCES

- [1] C. Rossi, Aguire P. Ultra Low Power CMOS Cells For Temperature Sensors, SBCCI. 2005.
- [2] J. T. S. Tsai, H. Chiueh. High Linear Voltage References for on-chip CMOS Temperature Sensors. IEEE. National Chiao Tung University, Hsinchu 300, Taiwan 2006.
- [3] A. Al, S. M. A. Motakabber, M. B. I. Reaz, Mohd Alauddin Mohd Ali Department of Electrical, Electronic & Systems Engineering Universiti Kebangsaan Malaysia. Extend The Linier Region Response Of PTAT Temperature Sensors In One-Chip CMOS Technology. UKM Bangi Malaysia EPC 2010.
- [4] H. J. Oguay., D. Aebischer. CMOS Current Reference Without resistance, IEEE Journal of Solid-state Circuits, SC-32(7):1132-1135 1997.
- [5] S. K. Kar, Current reference & Voltage reference, Dept. of Electrical Engg., Indian Institute of Technology Kharagpur. 2008.

ALAL received Bachelor from University of Negeri Padang Indonesia 1986, and Master Technology (MT) from Sepuluh November Institute of Technology Surabaya Indonesia in 2002 . 2009 to currently Phd. Student in the Department of Electrical, Electronic and Systems Engineering National University of Malaysia (UKM)

M. B. I. Reaz received B.Sc.& M.Sc.(University of Rajshahi, Bangladesh)in 1985 and 1986, D.Eng.(Ibaraki University, Japan)in 2007. He is currently an Associate Professor in the National University of Malaysia (UKM), Malaysia involving in teaching, research and industrial consultation. He is a regular associate of the Abdus Salam International Center for Theoretical Physics since 2008. He has vast research experiences in Norway, Ireland and Malaysia. He has published extensively in the area of IC Design and Biomedical application IC.

S. M. A. Motakabber received B.Sc.& M.Sc.(University of Rajshahi, Bangladesh)in 1986 and 1987, Phd. National University of Malaysia (UKM), Malaysia) in 2011. He is currently an Pos Doctoral in the National University of Malaysia (UKM), Malaysia.

Mohd Alauddin Mohd Ali received the BEng. (Electrical), BSc. (Mathematics) and MEng.Sc. (Electrical) degrees from the University of Tasmania, Australia in 1978, 1979 and 1984 respectively, and the PhD degree from the University of Nottingham, England in 1994. He is currently a professor in the Department of Electrical, Electronic and Systems Engineering National University of Malaysia (UKM). His current research interests include biomedical signal processing, instrumentation, IC design and testability.