

# Optimal Voltage and Frequency Control of a Microgrid Using the Harmony Search Algorithm

Hossein Abbasi

**Abstract**—The stability is an important topic to plan and manage the energy in the microgrids as the same as the conventional power systems. The voltage and frequency stability is one of the most important issues recently studied in microgrids. The objectives of this paper are the modelling and designing of the components and optimal controllers for the voltage and frequency control of the AC/DC hybrid microgrid under the different disturbances. Since the PI controllers have the advantages of simple structure and easy implementation, so they are designed and modeled in this paper. The harmony search (HS) algorithm is used to optimize the controllers' parameters. According to the achieved results, the PI controllers have a good performance in voltage and frequency control of the microgrid.

**Keywords**—Frequency control, HS algorithm, microgrid, PI controller, voltage control.

## I. INTRODUCTION

NOWADAYS most of electrical power is generated by the centralized power plants usually including large water turbines, fossil fuel combustion engines or nuclear reactors. Then, the generated power is transferred to the load centers through the most economic and effective way by the transmission lines. The centralized power generation has been used for several decades. However, there are defects in such systems, the reliability and power supply availability are the most important among them and also the long transmission lines make huge economic losses. Furthermore, given the fact that the infrastructure of the many power systems has been used for a long time and their life is often the end; therefore, they may not response to increasing electrical power requirements and their maintenance needs large financial budgets. As a result, the current power systems are usually operated around their full capacity. A blackout occurred in north east USA on August 2003 due to the overload made in a main transmission area, is a typical example for the above problems. Also, in many cases, from an environmental perspective, the construction of a new large-scale power plant may not be the suitable option and even if construction is decided, selection and preparation of its location will be introduced as real challenges. To solve these inevitable problems of the concentrated power systems, application of distributed generation (DG) units in distribution systems can be considered as one of several practical and effective solutions. This application will lead to the emergence of smaller distribution networks, called microgrids [1].

In general, a microgrid is a collection of micro sources and loads often providing both electricity and heat to the local area

[2]. In a microgrid, a customary requirement is installing an energy storage system.

Micro-generation and loads are controlled with energy storage and sophisticated control, so that at the point of coupling to the network, they appear as a single aggregate load or generator [2], [3].

Microgrids can be operated in a parallel or standalone mode. In the parallel mode, microgrid can absorb electrical power from the main grid or it can be fed depending on energy consumption and generation in microgrid as well as its interactions with the electricity market. When the power supply quality is threatened due to the occurrence of any abnormality in the main grid, microgrid may be separated from the main grid and operated in island mode [4].

The loads can be divided into two categories: AC and DC loads. DC loads such as residential loads (hybrid electric vehicles (HEVs), light emitting diodes (LEDs) and ...) can be connected directly to the DC bus, while AC loads are connected to the AC bus.

In an AC microgrid, DC loads are connected to the AC bus by AC/DC rectifiers and also DC resources must be converted to AC. While, in the DC microgrids, AC sources should be converted to DC and AC loads must also be connected to the DC bus by DC/AC inverters. Thus, because of the need to multiple reverse conversions, the efficiency is dramatically reduced in AC and DC microgrids. Therefore, to reduce energy losses due to remove the reverse conversions, the concept of an AC/DC hybrid microgrid is recommended.

Briefly, the reasons for the importance of the voltage and frequency stability issues in microgrids can be stated as follows:

1. Most DG units are not suitable for direct feeding, so it must be connected to the grid by power electronic devices. The use of power electronics devices is led to problems in the design and operation of the microgrids, which make it necessary for the design of suitable controllers and suitable operation of microgrids in parallel mode, island and state transition between these two modes of operation [5].
2. Renewable energy sources such as wind and PV resources can be easily affected by environmental changes, which causes their output as varied and unpredictable. On the other hand, microgrids have a low inertia and small resources have small time constants, so that changes in wind speed, sunlight or consumed power in load can lead to reduce the stability or even make an islanded microgrid instable.

Hossein Abbasi was with the Islamic Azad University, Sciences and Researches Branch of Tehran (Alborz), Iran (phone: +989124149827; e-mail: h.abbasi1369@gmail.com).

3. In addition to the above, other major factors affecting the microgrid stability include: control strategies of the distributed energy resources (DERs), location of fault occurrence and inertia of the rotary motors and generators [5].
4. Reduction in the efficiency and life of the equipment, such as residential loads, are other problems due to reduced or increased voltage in microgrids.

Proportional-Integral (PI) controller is the most common controller used in industry and has been universally accepted in industrial control. The popularity of PI controllers can be attributed partly to their robust performance in a wide range of operating conditions and partly to their functional simplicity, which allows engineers to operate them in a simple, straightforward manner.

This paper will introduce a harmony search (HS) algorithm to optimize parameters of PI controllers.

The harmony search algorithm is one of the newest metaheuristic population search algorithms. It was introduced by Geem et al. [6]. The HSA depends mainly on the musical process of searching for a pleasing harmony. The musicians are the decision variables of the function to be optimized. The notes of the musicians represent the decision variable values. The harmony is considered the optimal solution vector. Unlike the gradient optimization techniques, the HSA is a stochastic search and a free derivative algorithm. Furthermore, it has a simple

mathematical model and easier in implementation in engineering problems in comparison to other metaheuristic techniques. The HSA has been successfully applied to solve many optimization problems in the power systems [7]-[11].

The main targets in this paper are:

- 1- In this paper, the focus will be on the control voltage of the microgrid and frequency control will be considered as one of the constraints on the problem.
- 2- Design and modeling of controllers are done to control the loads bus voltage.
- 3- Small disturbances (such as changes in power of the loads and generators) and large disturbances (such as a short circuit occurring on the network and transient state between two parallel and islanded operation modes) are considered to study the voltage stability of the proposed microgrid.
- 4- Optimization algorithm to optimize the parameters of (PI) controllers in the microgrid (in both parallel and islanded operation modes) will be used to improve voltage stability.

## II. MICROGRID CONFIGURATION

In this paper, a hybrid AC/DC microgrid as shown in Fig. 1 is studied and modeled in MATLAB/Simulink. In parallel operation mode, AC bus is connected to the upstream grid through a breaker.

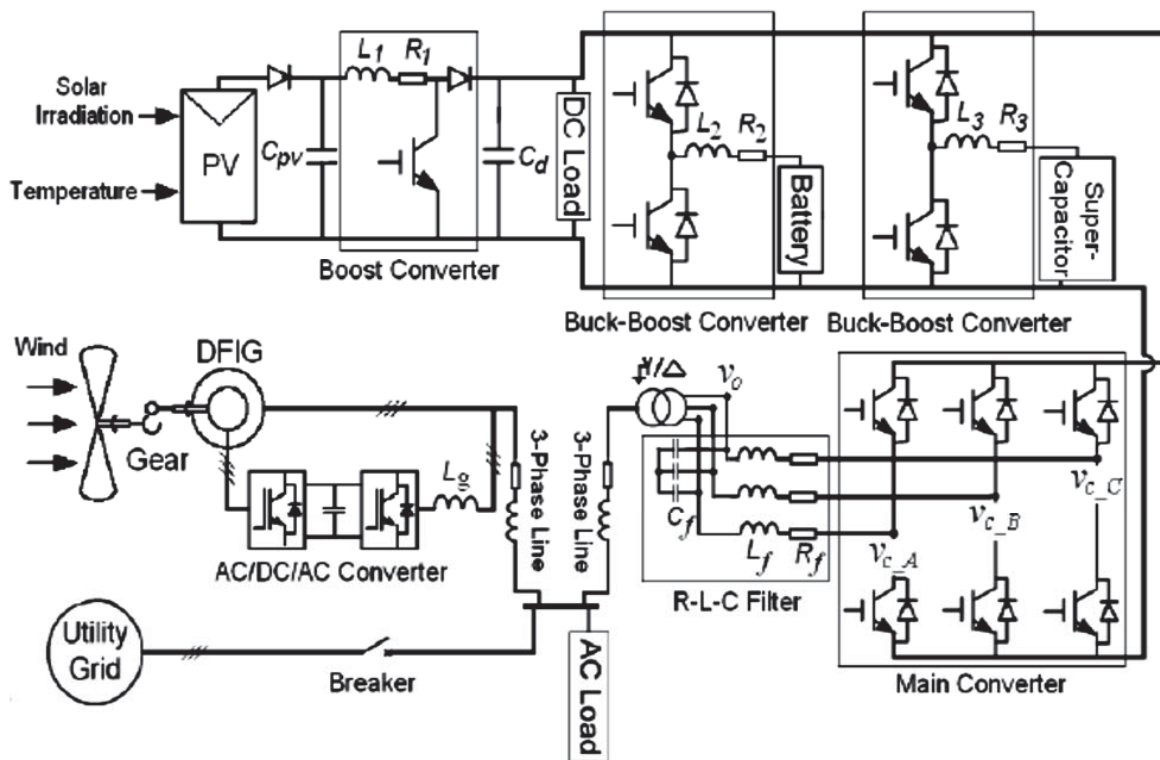


Fig. 1 A representation of the proposed microgrid

In this microgrid, a 30 kW PV unit as an example of DC sources is connected to the DC through a DC/DC boost

converter. A capacitor  $C_{pv}$  is used to remove the high frequency ripples existed in output voltage of PV. A 50 kW wind turbine

generator (WTG) equipped with doubly fed induction generator (DFIG) as an example of AC power sources is connected to the AC bus. A 200 V, 65 Ah battery is considered as a long-term energy storage and a medium for the exchange of energy in the steady state connected to the DC bus through a bi-directional DC/DC converter. A super-capacitor is also considered to remove and compensate transient fluctuations in voltage waveform. In addition, DC and AC loads are connected to the DC and AC buses, respectively. DC load is a resistance rated at 16 kW directly connected to the DC bus. While, AC load is consisted of resistive (50 kW), inductive (20 kvar) and capacitive (1 kvar) loads and a motor load (fixed at 5 kW). Nominal voltage level is considered at 400 V and 400 Vrms for DC and AC buses, respectively. The connection between DC and AC buses is done through a three-phase inverter (as the main converter in the microgrid) together with an R-C-L filter and an isolation transformer.

### III. CONTROLLER DESIGN AND MODELING

The converters must be controlled so as to provide an uninterrupted, high efficiency, and high quality in condition of major disturbance occurrence, such as microgrid disconnection from the main grid and the occurrence of a short circuit in the microgrid, and also small disturbance occurrence, such as AC and DC loads switching, as well as changes in solar radiation or wind intensity, when the microgrid is operated in both parallel and islanded modes.

Control algorithm for every converter has been described in the following subsections.

#### A. Parallel Operation Mode

##### 1. DC/DC Boost Converter Controller

When the hybrid microgrid is operated in the parallel mode, the objective of the PV boost converter control is maximum power point tracking (MPPT) by adjusting the terminal voltage. Here, the reference value for the terminal voltage of the solar panel  $V_{pv}^*$  is obtained by chaos algorithm (P & O), as shown in Fig. 2 [12], [13].

Two-loop control for the DC/DC boost converter is

described in [14] in which the control scheme objective is to provide a DC voltage with high quality and good dynamic response. This control scheme has been applied for PV systems to track the optimal terminal voltage through a MPPT algorithm with minor modifications, as shown in Fig. 3. The outer voltage loop can track the reference voltage with zero steady-state error and internal control loop can improve the dynamic response [15].

One-cycle delay and saturation limiter in Fig. 3 can help the controller in tracking faster  $V_{pv}^*$  [15]. In steady state,  $i_{l-pre}^*$  is in the linear region of the saturation limiter and is equal to  $i_{l}^*$ .

It can be seen that a step increase in  $V_{pv}^*$  will result in negative  $i_{l-pre}^*$ , which in turn will lead  $i_{l}^*$  to zero during the first transient period of the switching process. This reduces  $d_1$  for pushing the average voltage  $V_d(1-d_1)$  and  $V_{pv}$  to the reference value  $V_{pv}^*$ .

##### 2. Battery and Super-Capacitor Storage Converter Controller

Storage battery has a high energy density, while the charging and discharging speed is relatively slow. But, super-capacitor storage has ability to quickly charge and discharge and consequently quickly compensate the voltage and frequency fluctuations. Therefore, super-capacitor is used to compensate high frequency fluctuations. Based on the characteristics of the battery and super-capacitor storages, a control scheme is used as shown in Fig. 4. In this scheme, the DC bus voltage is controlled by the battery and super-capacitor storages. Initially, DC bus voltage ( $v_{dc}$ ) is measured and compared to the reference voltage value ( $v_{dc\_ref}$ ), then the result is sent to a PI controller to achieve a reference current  $i_{ref}$ .  $i_{ref}$  is splitted to two parts: one part after passing through a low pass filter (LPF) and a coefficient  $y$  (now,  $i_{batt}^*$  is generated) is compared with  $i_{batt}$  and then sent to the PI controller to provide the PWM switching signal of battery converter. Also, another part after comparing  $i_{ref}$ ,  $i_{batt}^*$  and  $i_{sc}$  is sent to the PI controllers to provide the PWM switching signal of super-capacitor converter. in this study,  $y$  and LPF cut-off frequency are selected in 0.95 and 50 Hz, respectively.

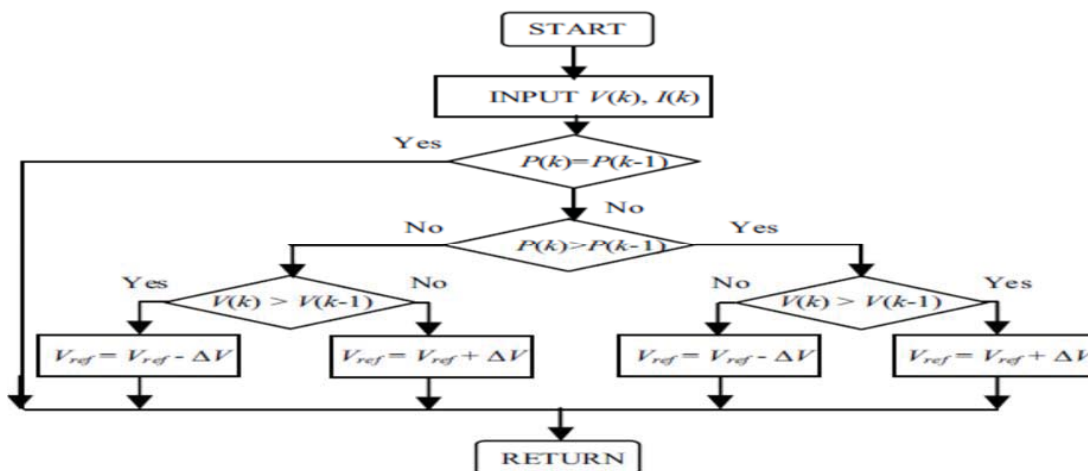


Fig. 2 MPPT algorithm for PV array

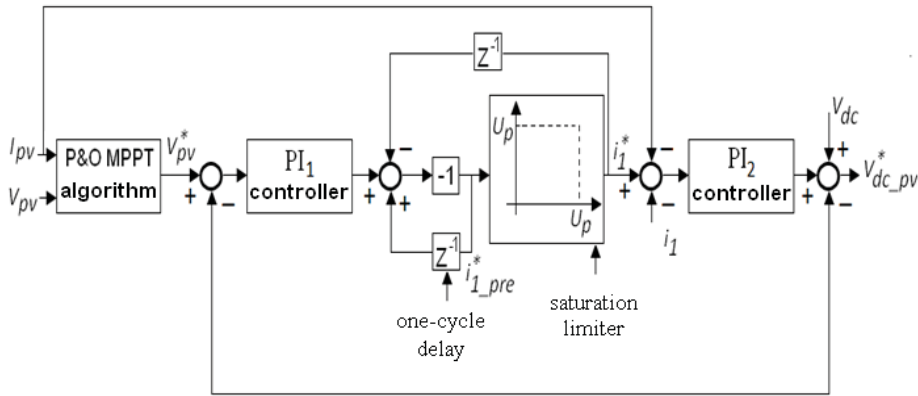


Fig. 3 Block diagram of the boost converter controller in parallel operation mode

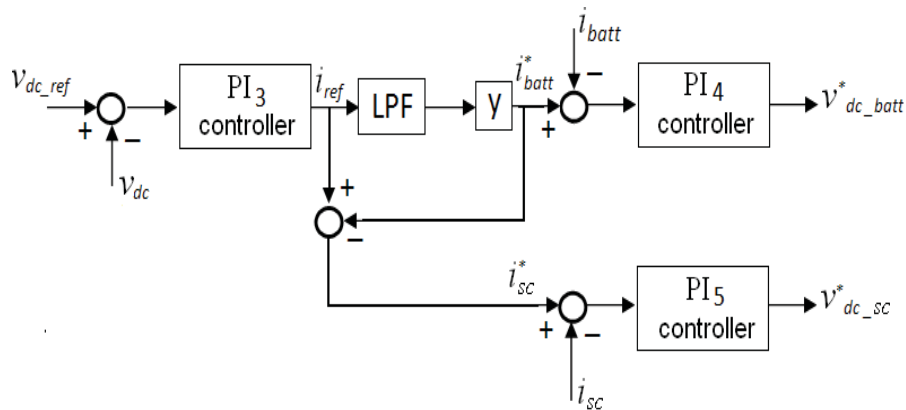


Fig. 4 Control scheme of the hybrid battery and super-capacitor storages in parallel operation mode

3. Main Converter Controller

The aim of the main converter control scheme in a parallel mode is a reactive power generation predefined. Block diagram of the control scheme [15] has been proposed and shown in Fig.

5. In addition, the active power transferred between DC and AC buses can be controlled by defining a specific value for the  $i_{fd}^*$ . In this paper, the  $i_{fd}^*$  is equal to zero, i.e. it is assumed that there is only reactive power exchange between DC and AC buses, but there is no active power exchange.

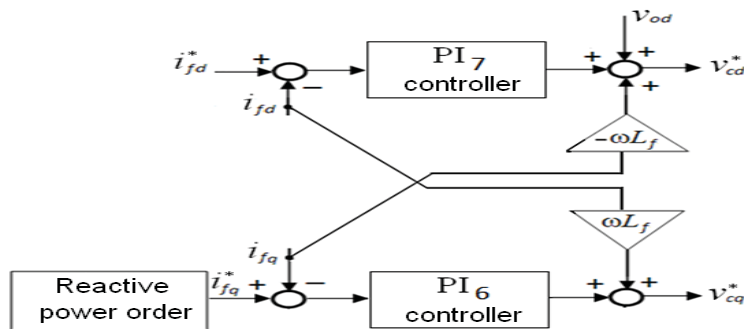


Fig. 5 Block diagram of the main converter controller in the parallel mode

4. The DFIG Converters Controller

a) Rotor-Side Converter Controller

DFIG uses this fact that the rotor current variation is reflected in stator current variation and hence, stator active and reactive powers can be controlled through the rotor current control.

The rotor-side converter control objectives are MPPT in WTG and stator side reactive power management. Different control schemes such as direct torque control (DTC) and direct power control (DPC) for a DFIG in [16], [17] have been proposed. In this paper, the proposed DTC scheme [15], shown in Fig. 6, has been chosen as a control scheme for the rotor-side

converter.

*b) Grid-Side Converter Controller*

The task of the grid-side converter is to maintain a constant DC link voltage, regardless of the direction of power flow in

the rotor. In this paper, the control scheme proposed in [18] was chosen for the grid-side converter shown in Fig. 7. In Fig. 7, the symbol  $\varepsilon$  represents the variable in the reference system aligned with microgrid voltage.

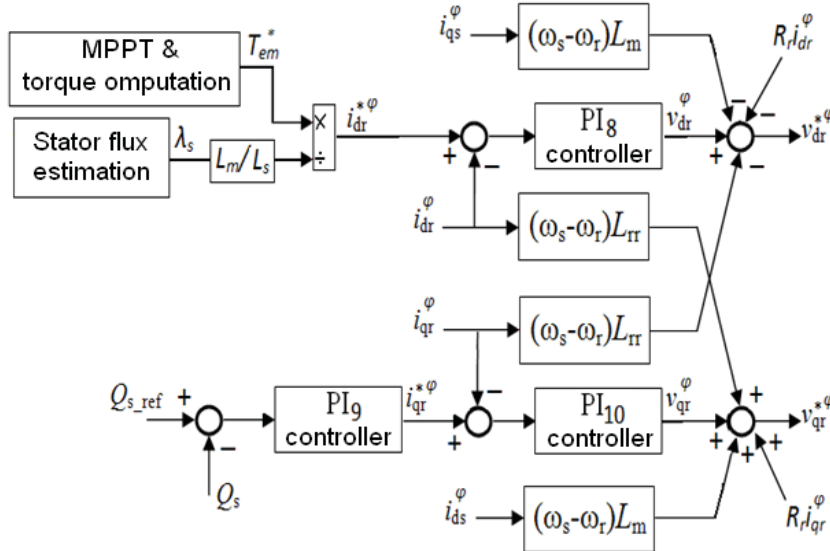


Fig. 6 DTC control scheme for the rotor- side converter of DFIG in the parallel operation mode

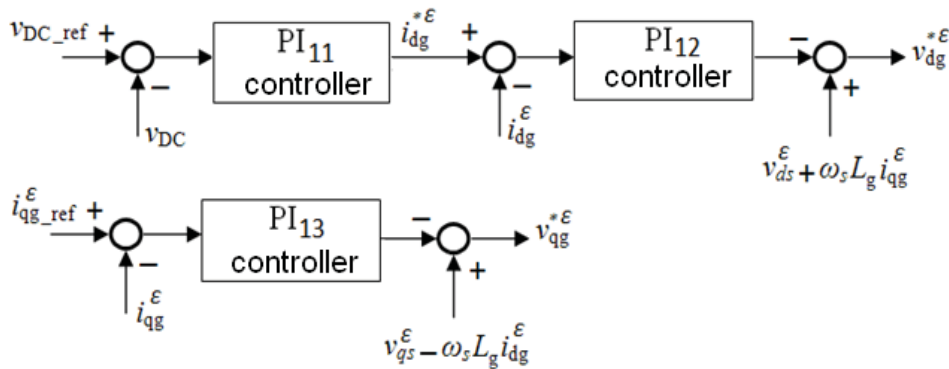


Fig. 7 The control scheme of the grid-side converter in the parallel operation mode

*B. Standalone Operation Mode*

In the standalone operation mode, the hybrid microgrid was isolated from the upstream network and is independently operated. In this mode, most controllers defined for the power electronic converters are the same as them in parallel operation mode, except that the main converter control scheme is changed which will be described later. In the standalone mode, the main converter is working as a voltage source to provide a

stable voltage and frequency for the AC bus and soft transfer of the power between DC and AC buses.

Multi-loop voltage control for a DC/AC inverter has been described in [19], in which the control scheme aims are to provide a high quality AC voltage with good dynamic response at different load conditions. This control scheme can also be used in the standalone mode to control the main converter to provide a high quality AC voltage, with minor modifications as shown in Fig. 8.



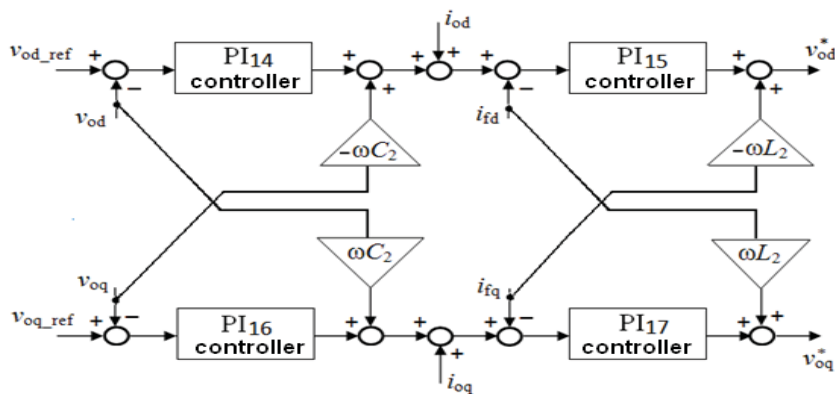


Fig. 8 Control block diagram of the main converter for the standalone

IV. HARMONY SEARCH (HS) ALGORITHM

In order to explain the Harmony Search in more detail, let us first idealize the improvisation process by a skilled musician. When a musician is improvising, he or she has three possible choices: (1) play any famous piece of music (a series of pitches in harmony) exactly from his or her memory; (2) play something similar to a known piece (thus adjusting the pitch slightly); or (3) compose new or random notes. Zong Woo Geem et al. formalized these three options into quantitative optimization process in 2001, and the three corresponding components become: usage of harmony memory, pitch adjusting, and randomization [20].

The usage of harmony memory is important, as it is similar to the choice of the best-fit individuals in genetic algorithms (GA). This will ensure that the best harmonies will be carried over to the new harmony memory. In order to use this memory more effectively, it is typically assigned as a parameter  $r_{accept} \in [0,1]$ , called harmony memory accepting or considering rate. If this rate is too low, only few best harmonies are selected and it may converge too slowly. If this rate is extremely high (near 1), almost all the harmonies are used in the harmony memory, then other harmonies are not explored well, leading to potentially wrong solutions. Therefore, typically, we use  $r_{accept} = 0.7 \sim 0.95$ .

The second component is the pitch adjustment determined by a pitch bandwidth  $b_{range}$  and a pitch adjusting rate  $r_{pa}$ . Though in music, pitch adjustment means to change the frequencies, it corresponds to generate a slightly different solution in the Harmony Search algorithm [20]. In theory, the pitch can be adjusted linearly or nonlinearly, but in practice, linear adjustment is used. So we have;

$$X_{new} = X_{old} + b_{range} * \epsilon \tag{1}$$

where  $x_{old}$  is the existing pitch or solution from the harmony memory, and  $x_{new}$  is the new pitch after the pitch adjusting action. This essentially produces a new solution around the existing quality solution by varying the pitch slightly by a small random amount [1,2]. Here  $\epsilon$  is a random number generator in the range of  $[-1,1]$ .

Pitch adjustment is similar to the mutation operator in genetic algorithms. We can assign a pitch-adjusting rate ( $r_{pa}$ ) to

control the degree of the adjustment. A low pitch adjusting rate with a narrow bandwidth can slow down the convergence of HS because the limitation in the exploration of only a small subspace of the whole search space. On the other hand, a very high pitch-adjusting rate with a wide bandwidth may cause the solution to scatter around some potential optima as in a random search. Thus, we usually use  $r_{pa} = 0.1 \sim 0.5$  in most applications.

The third component is the randomization, which is to increase the diversity of the solutions. Although adjusting pitch has a similar role, but it is limited to certain local pitch adjustment and thus corresponds to a local search. The use of randomization can drive the system further to explore various diverse solutions so as to find the global optimality.

<p>Harmony Search</p> <pre> <b>begin</b> Objective function <math>f(\mathbf{x})</math>, <math>\mathbf{x}=(x_1, x_2, \dots, x_d)^T</math> Generate initial harmonics (real number arrays) Define pitch adjusting rate (<math>r_{pa}</math>), pitch limits and bandwidth Define harmony memory accepting rate (<math>r_{accept}</math>) <b>while</b> (<math>t &lt; \text{Max number of iterations}</math>) Generate new harmonics by accepting best harmonics Adjust pitch to get new harmonics (solutions) <b>if</b> (<math>\text{rand} &gt; r_{accept}</math>), choose an existing harmonic randomly <b>else if</b> (<math>\text{rand} &gt; r_{pa}</math>), adjust the pitch randomly within limits <b>else</b> generate new harmonics via randomization <b>end if</b> Accept the new harmonics (solutions) if better <b>end while</b> Find the current best solutions <b>end</b>                 </pre>
--

Fig. 9 Pseudo code of the Harmony Search algorithm

The three components in harmony search can be summarized as the pseudo code shown in Fig. 9. In this pseudo code, we can see that the probability of randomization is;

$$P_{random} = 1 - r_{accept} \tag{2}$$

and the actual probability of adjusting pitches is

$$P_{pitch} = r_{accept} * r_{pa} \tag{3}$$

Controllers can be optimized by minimizing the integral of

a function of the deviation of the DC and AC buses voltage and AC bus frequency. Generally, there are four types of methods for minimizing a function: the integral absolute error (IAE), integral of squared error (ISE), integral of time weighted absolute error (ITAE) and integral of time weighted squared error (ITSE). ITAE due to greater efficiency in the objective function used in this paper, has been used. The objective function is defined as:

$$error = error_{v\_DC} + error_{v\_AC} + error_{f\_AC} \quad (4)$$

where:

$$error_{v\_DC} = \sum_{t_s} t * |v_{DC\_measured}(t) - v_{DC\_ref}(= 400)| \quad (5)$$

$$error_{v\_AC} = \sum_{t_s} t * |v_{AC\_l-l\_measured}(t) - v_{AC\_ref}(= 400)| \quad (6)$$

$$error_{f\_AC} = 100 * \sum_{t_s} t * |f_{AC\_measured}(t) - f_{AC\_ref}(= 60)| \quad (7)$$

In the above equations,  $t_s$  is time taken to run a simulation of the microgrid. Also,  $v_{DC\_measured}$ ,  $v_{AC\_measured}$  and  $f_{AC\_measured}$  are respectively the DC bus voltage, AC bus voltage and AC bus frequency, which are measured. Also  $v_{DC\_ref}$ ,  $v_{AC\_ref}$  and  $f_{AC\_ref}$  are respectively the reference DC voltage, AC voltage and AC frequency. It should be noted that even small fluctuations in frequency are extremely more important rather than the voltage fluctuations, so for the error of the microgrid frequency, has been taken an index of the 100.

## V. SIMULATION RESULTS

In this section, the simulation results performed in MatLab/Simulink are shown to verify the voltage and frequency control through the controllers (with optimized parameters based on HS algorithm). First, under the islanding occurrence, parameters of the controllers have been optimized according to (4) to (7) to damp the voltage and frequency fluctuations.

Objective function value curve, in terms of the number of iterations for HS algorithm is shown in Fig. 10.

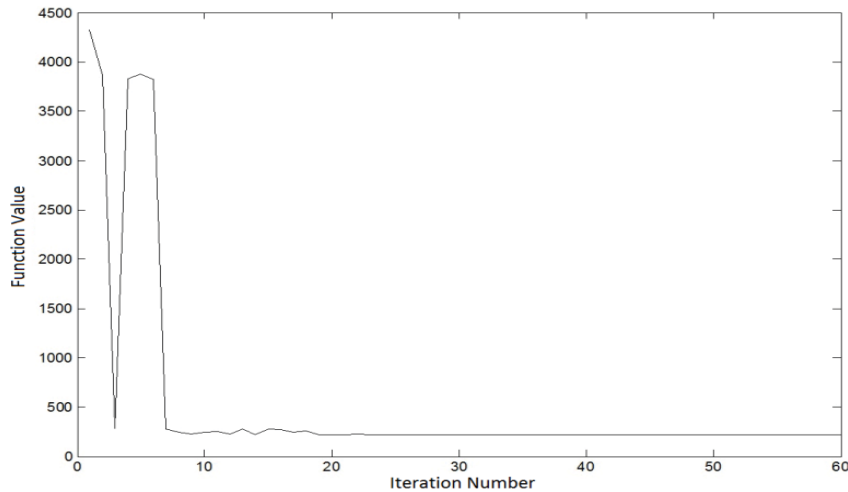


Fig. 10 Objective function value versus number of iterations for HS algorithm

Now, the performance of the optimized PI controllers is studied. Initially, the voltage and frequency response of the microgrid are shown under islanding occurrence in Figs. 11-13. Islanding event is occurred in second 1/0. As it can be seen Figs. 11-13, during the occurrence of this case, the bus voltage and frequency have small fluctuations; i.e. they are in their allowed range. Also, in order to examine the capabilities of optimized parameters, simulation has been performed under another major disturbance, i.e. the occurrence of a temporary three-phase fault (occurred between isolation transformer and the main converter with the error clearing time 150 ms) at

island operation mode. Voltage and frequency response of the microgrid under this disturbance is shown in Figs. 14-16. Three-phase fault is occurred at second 8/0. As expected and specified in the figure, when a three-phase fault is occurred, AC bus voltage is rapidly dropped towards zero and AC bus frequency also is increased. During fault occurrence, DC bus voltage is reducing. But after removing the three-phase fault, AC bus voltage is again increased, thereby DC bus voltage is increased and fluctuations are made in the AC bus frequency. After a short period of time, AC and DC buses voltage and AC bus frequency are at their limit.

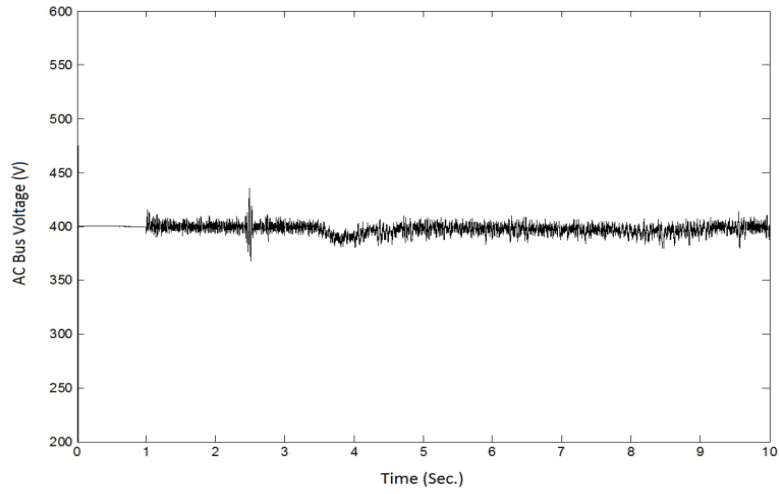


Fig. 11 AC bus voltage due to the islanding occurrence

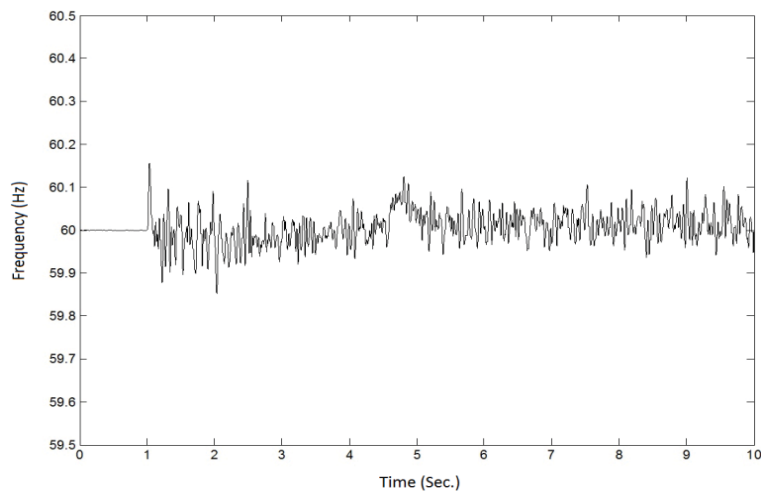


Fig. 12 AC bus frequency due to the islanding occurrence

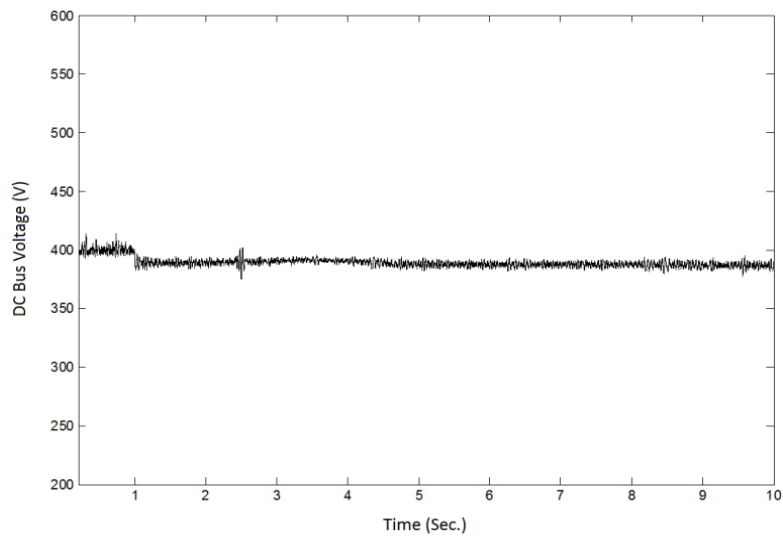


Fig. 13 DC bus voltage due to the islanding occurrence



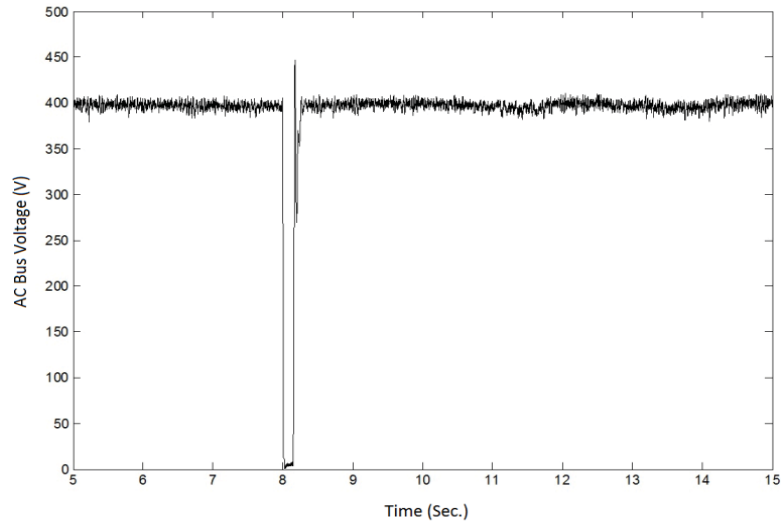


Fig. 14 AC bus voltage due to the three-phase fault occurrence

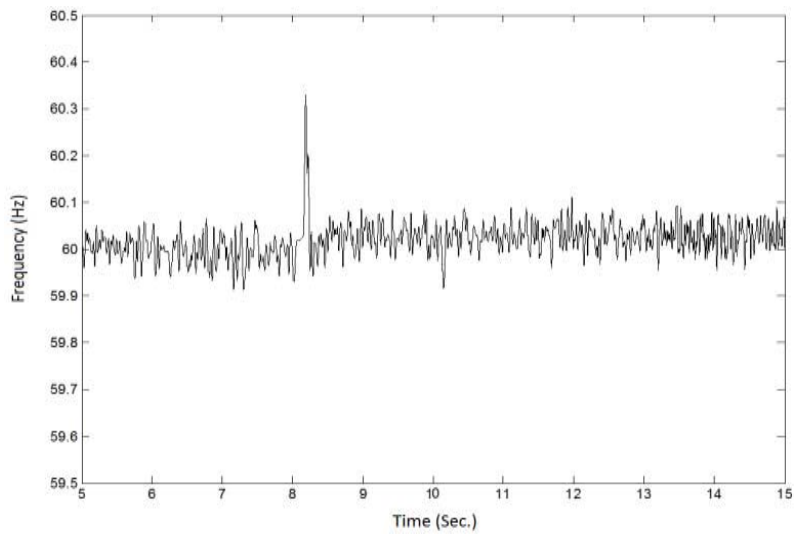


Fig. 15 AC bus frequency due to the three-phase fault occurrence

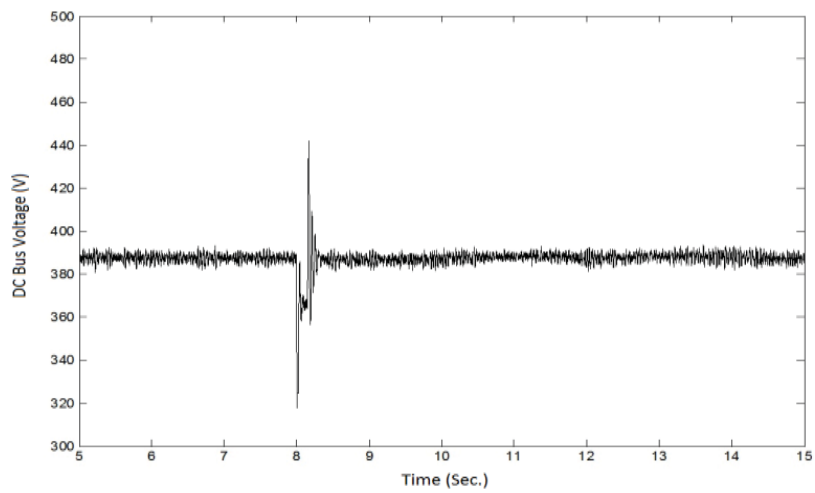


Fig. 16 DC bus voltage due to the three-phase fault occurrence

Further, load and generation variations are studied in the islanded mode. First, generation variations are considered as Fig. 17. At second 4/0, the solar radiation level is suddenly dropped from 800 W/m<sup>2</sup> to 200 W/m<sup>2</sup>, and then it returns to 800 W/m<sup>2</sup>. Under these conditions, the DC bus voltage, battery current, and super-capacitor current are shown in Figs. 18, 19, 20, respectively. At second 4/0, when the PV power generation is reduced, in a very short time the total "power transfer from the AC bus to the DC bus and power generated in DC bus" to "load power consumed in DC bus" is reduced resulting in reduced momentarily voltage in the DC bus; but this imbalance quickly is compensated by storages, which will result in

restoring the DC bus voltage. Hence, the discharge current of the super-capacitor storage is increased by reducing the power generation of the PV. However, with increasing levels of solar radiation to the previous level (800 W/m<sup>2</sup>), unlike the previous case in a very short time the total "power transferred from the AC to the DC bus and the power generated in DC bus" to "load power consumed in DC bus" is increased, resulting in increased momentary voltage in the DC bus; but this imbalance quickly are compensated by storages, which will result in restoring the DC bus voltage and reducing the discharge current of the super-capacitor storage.

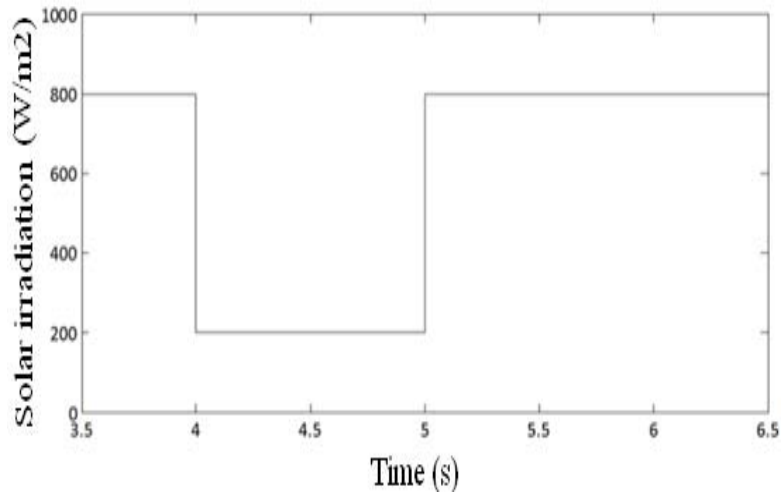


Fig. 17 Changes in solar radiation levels

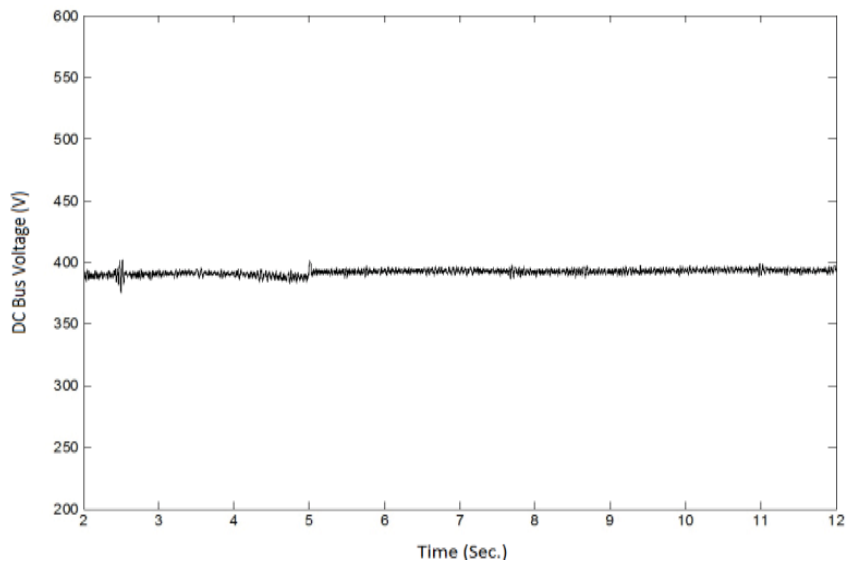


Fig. 18 DC bus voltage during changes in solar radiation levels

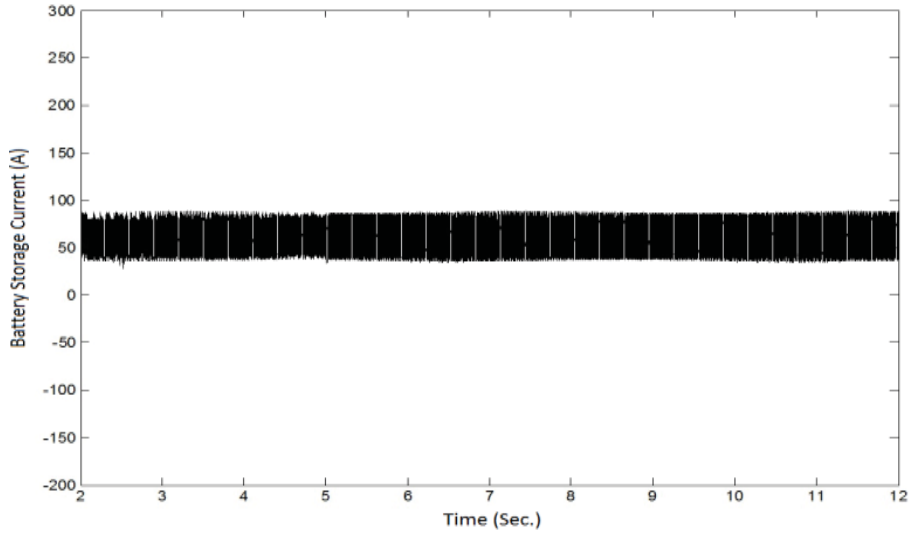


Fig. 19 Battery current during changes in solar radiation levels

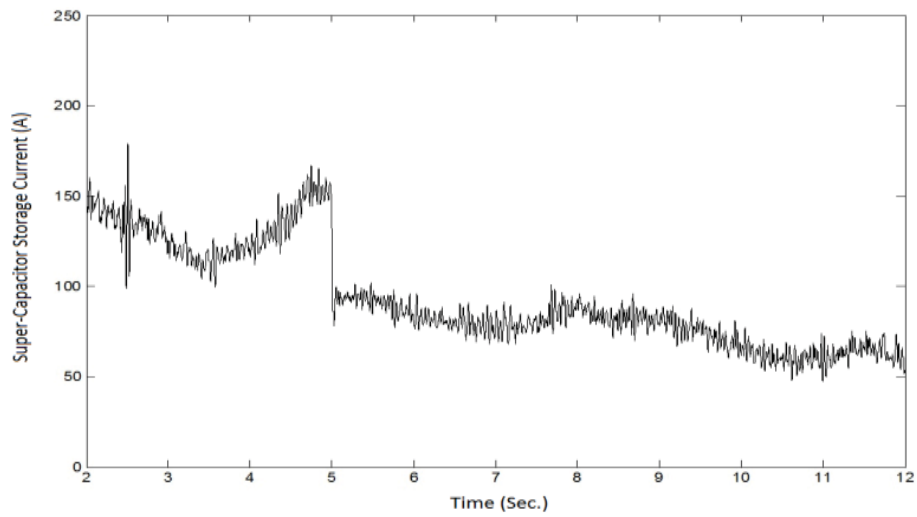


Fig. 20 Super-capacitor current during changes in solar radiation levels

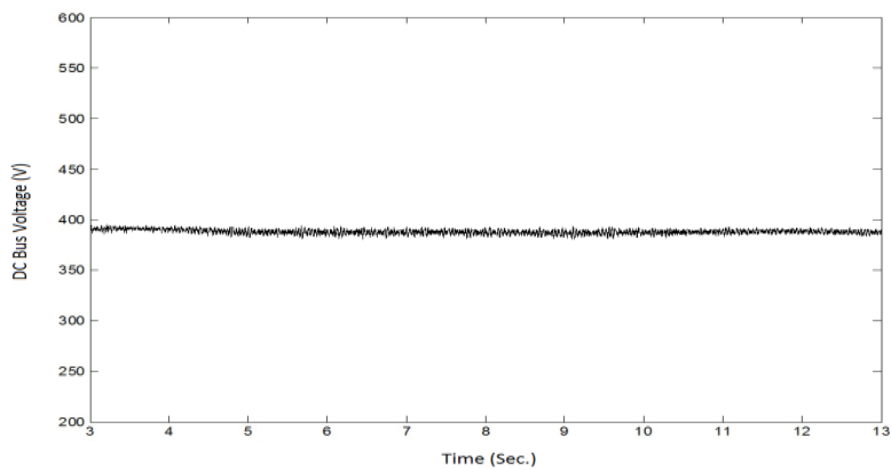


Fig. 21 DC bus voltage due to the DC load variation

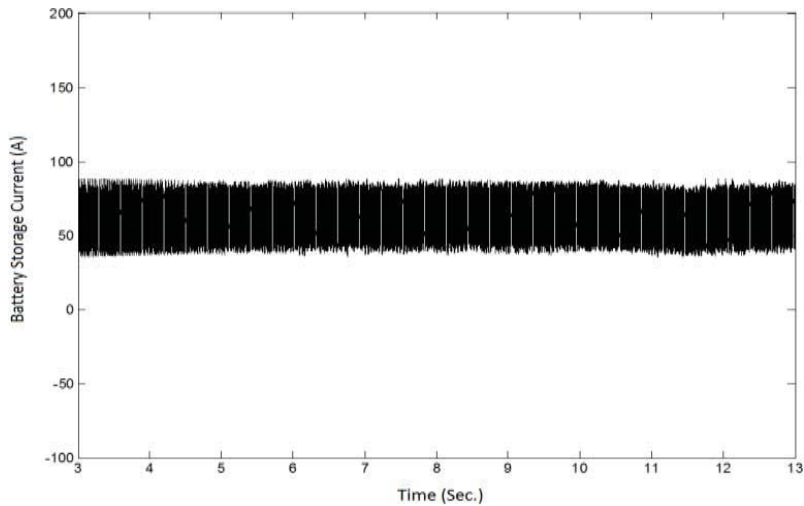


Fig. 22 Battery current due to the DC load variation

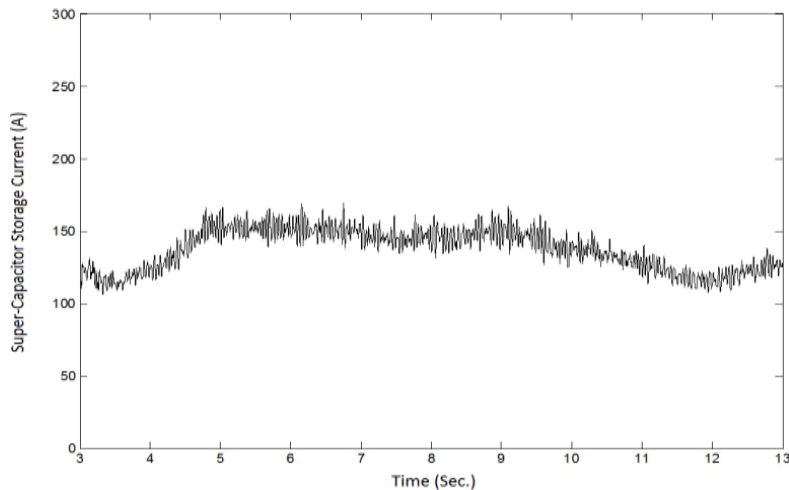


Fig. 23. Super-capacitor current due to the DC load variation

Then, change in the value of the DC load is considered. In second 5/0, the DC load value has changed to the half (i.e. from 8 kW to 4 kW) and it returns to their initial value in second 7/0. Under these changes, the DC bus voltage, battery and supercapacitor currents are shown in Figs. 21, 22, 23, respectively. Due to the increased load "power transferred from the AC to the DC bus and power generated in DC bus" to "power consumed in DC bus" is reduced in a very short time which results in the reduced DC bus voltage. But soon this imbalance was compensated by storages. But when load power is decreased in second 7/0, the amount of " generated and transmitted power in DC bus" to "power consumed in DC bus" is momentarily increased. This imbalance will quickly be compensated and DC bus voltage will also be restored.

In continue, the AC load variation is studied. In second 5/5, the AC load value is decreased from 50 kW to 25 kW and in second 6/5 it is returned to its initial value 50 kW. Under these

variations, AC bus voltage, AC bus frequency, DC bus voltage, battery and super-capacitor storages current are shown in Figs. 24, 25, 26, 27, 28, respectively. As it can be seen, when AC load is reduced to the value 25 kW the "generated and transmitted power in the AC bus" to "load power consumed in AC bus" is increased and thereby the AC bus voltage and frequency is increased and DC bus voltage is also slightly increased. However, these changes also can be covered quickly by reducing the power generation of storages. Besides, when the load power is increased to 50 kW in AC bus, in a short time "total power transferred from the DC to AC bus and power generated in the AC bus" to "load power consumed at the AC bus" is reduced which in turn results in reducing the AC bus voltage and frequency. It should be noted that the reduction of AC voltage will effect on the DC bus voltage and slightly reduce it. But these fluctuations are quickly compensated by the storage generation.

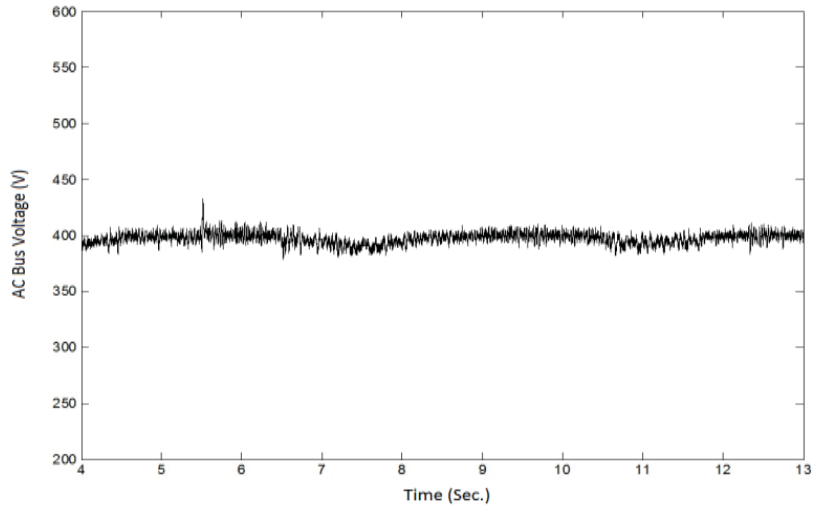


Fig. 24 AC bus voltage during AC load variations

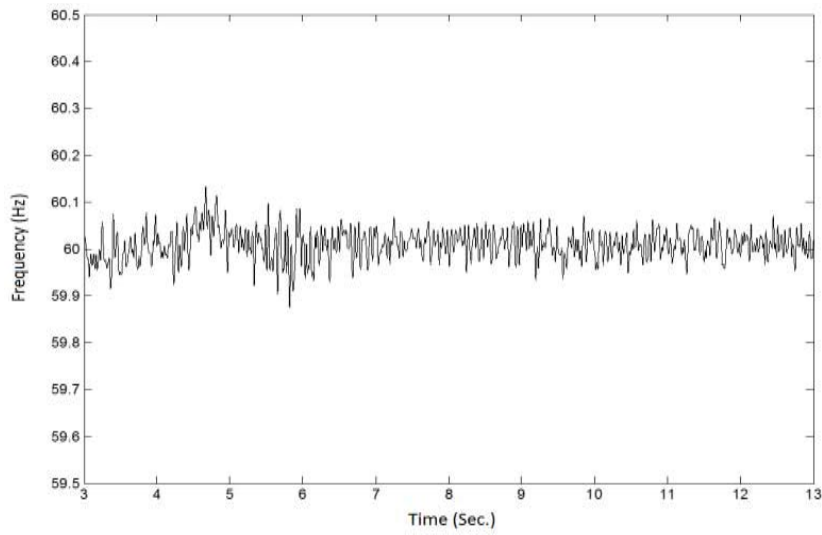


Fig. 25 AC bus frequency during AC load variations

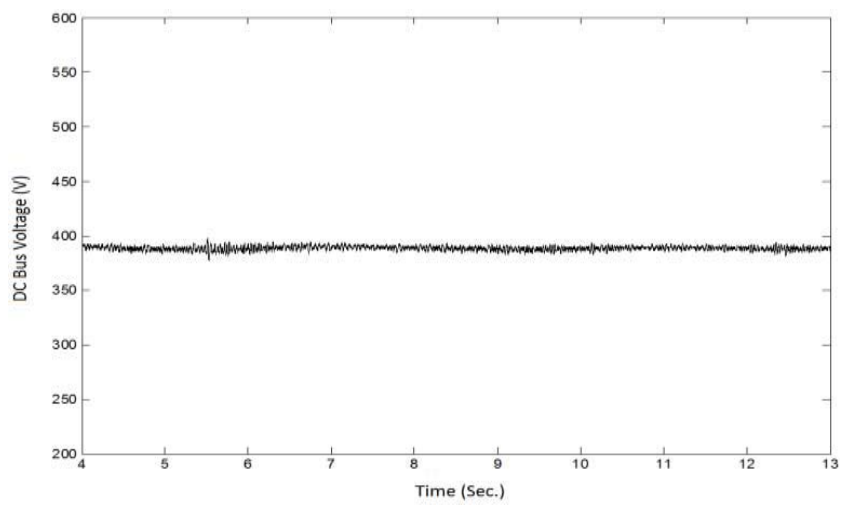


Fig. 26 DC bus voltage during AC load variations

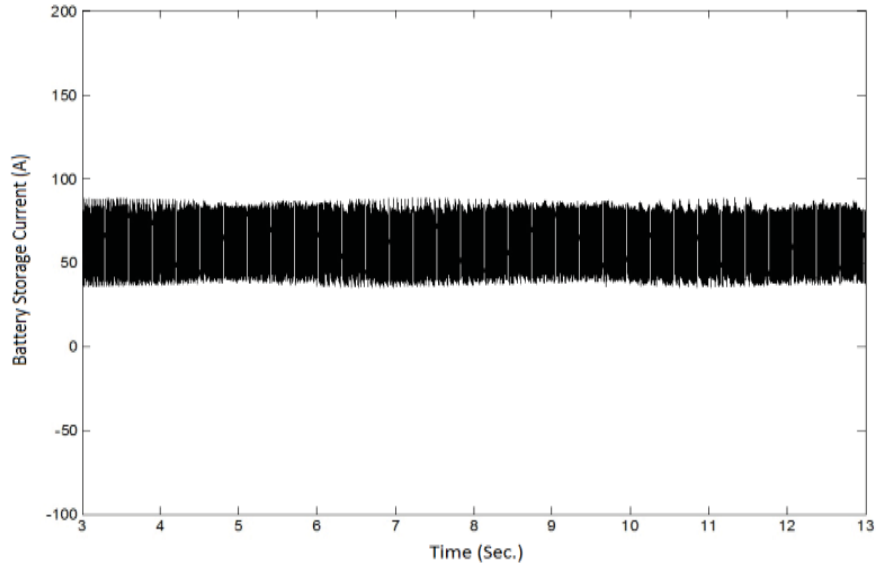


Fig. 27 Battery storage current during AC load variations

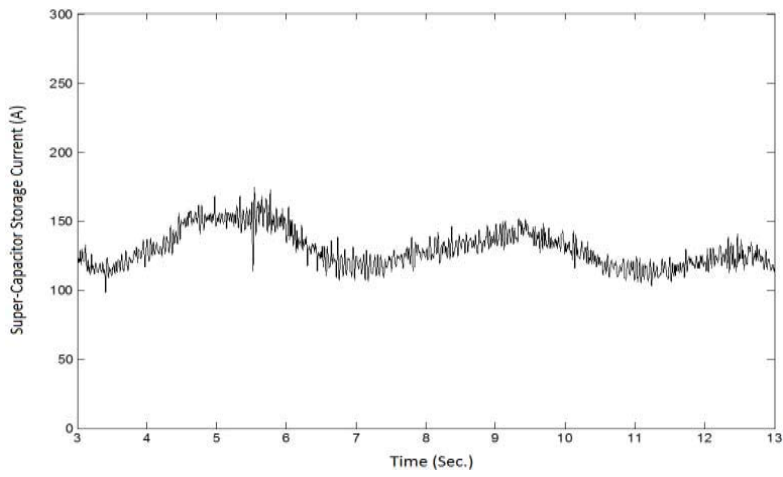


Fig. 28 Super-capacitor current during AC load variations

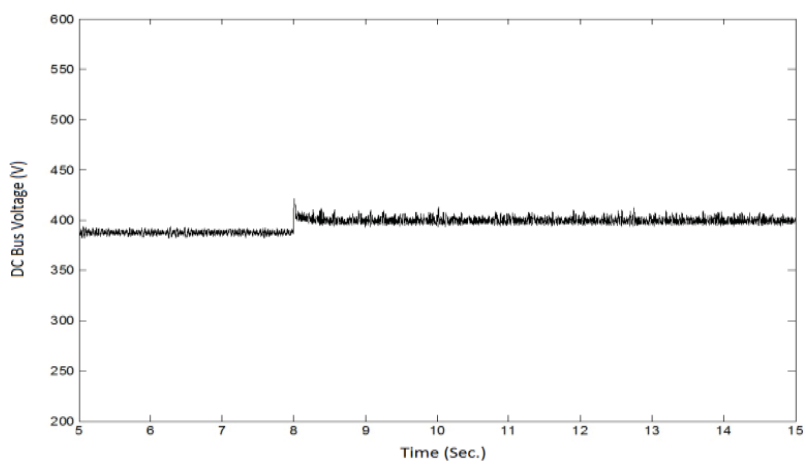


Fig. 29. DC bus voltage due to the connection of the microgrid to the upstream network



Finally, the connection of hybrid microgrid to the upstream network is studied. This connection is occurred at second 8/0. At this case, the AC bus voltage and frequency is very quickly matched to these of the upstream network (i.e. 400 V, and 60 Hz) and DC bus voltage variations is shown in Fig. 29. As it can be seen in this figure, when the microgrid is connecting to the upstream network, DC bus voltage is decreased due to current changes in storages caused by changing the control position of the microgrid inverter. After time passed, DC bus voltage is controlled in its allowed range.

Based on results achieved, it can be concluded that the optimization based PI controllers have good capability and robustness to recovery and stabilize the microgrid voltage and frequency when the sharp fluctuations in electrical power of loads and generators are made.

## VI. CONCLUSION

In this paper, a hybrid AC/DC microgrid was proposed and studied. DG and storage units are modeled and then their controllers were designed. PI controllers were used as they have simple structure and are the most common in industries. To optimize the parameters of PI controllers, the HS algorithm was used. The simulation results show that PI controllers are able to quickly restore and stabilize the voltage and frequency fluctuations.

## REFERENCES

- [1] Z. Zhang, "Modeling, analysis, and control of a PEM fuel cell based Micro-Grid power system", Ph.D. Dissertation, Dept. ECE, The University of Western Ontario, London, Ontario, 2007.
- [2] R.H. Lasseter, "MicroGrids", PES Winter Meeting, IEEE, vol. 1, pp. 305-308, Jan. 2002.
- [3] M. Hedayati, H. Abbasi, "Optimal voltage and frequency control of a microgrid system using a Teaching-Learning Based Optimization (TLBO) algorithm", International Journal of Electrical, Electronics and Data Communication, vol. 3, no. 8, pp. 5-13, Aug. 2015.
- [4] M. A. Pedrasa, and T. Spooner, "A survey of techniques used to control microgrid generation and storage during island operation," Proc. 2006 Australian Universities Power Engineering Conference (AUPEC), Melbourne, pp. 10-13, Dec. 2006.
- [5] N. Jayawarna, X. Wut, Y. Zhang, N. Jenkins, and M. Barnes, "Stability of a microgrid," 3rd IET International Conference on Power Electronics, Machines and Drives, Dublin, pp. 316-320, Mar. 2006.
- [6] Geem Z.W., Kim J.H., and Loganathan G.V., "A new heuristic optimization algorithm: harmony search", Simulation, vol. 76, no. 2, pp. 60-68, 2001.
- [7] Rayapudi S.R., Sadhu V.L.N., Manyala R.R., and A. Srinivasa R., "Optimal network reconfiguration of large-scale distribution system using harmony search algorithm", IEEE Transactions on Power Systems, vol. 26, no. 3, pp. 1080-1088, August 2011.
- [8] A. Verma, B.K. Panigrahi, and P.R. Bijwe, "Harmony search algorithm for transmission network expansion planning", IET Generation, Transmission and Distribution, vol. 4, no. 6, pp. 663-673, 2010.
- [9] L. Wei, W. Guo, F. Wen, G. Ledwich, Z. Liao, and J. Xin, "Waveform matching approach for fault diagnosis of a high-voltage transmission line employing harmony search algorithm", IET Generation, Transmission and Distribution, vol. 4, no. 7, pp. 801-809, 2010.
- [10] A. Askarzadeh, and A. Rezaadeh, "An innovative global harmony search algorithm for parameter identification of a PEM fuel cell model", IEEE Transactions on Industrial Electronics, vol. 59, no. 9, pp. 3473-3480, September 2012.
- [11] K. Nekooei, Malihe M. Farsangi, Hossein N. and Kwang Y. Lee, "An improved multi-objective harmony search for optimal placement of DGs in distribution systems", IEEE Transactions on Smart Grid, vol. 4, no. 1, pp. 557-567, March 2013.
- [12] L.N. Khanh, J.-J. Seo, Y.-S. Kim, and D.-J. Won, "Power-management strategies for a grid-connected PV-FC hybrid system," IEEE Transactions on Power Delivery, vol. 25, no. 3, pp. 1874-1882, Jul. 2010.
- [13] R. Majumder, F. Shahnia, A. Ghosh, G. Ledwich, M. Wishart, and F. Zare, "Operation and control of a microgrid containing inertial and non-inertial micro sources," IEEE Region 10 Conference (TENCON), Singapore, pp. 1-6, Jan. 2009.
- [14] B. Bryantand, and M.K. Kazimierzuk, "Voltage loop of boost PWM DC-DC converters with peak current-mode control," IEEE Transactions on Circuits Systems I, Reg. Papers, vol. 53, no. 1, pp. 99-105, Jan. 2006.
- [15] X. Liu, P. Wang, and P.C. Loh, "A hybrid AC/DC microgrid and its coordination control," IEEE Transactions on Smart Grid, vol. 2, no. 2, pp. 278-286, Jun. 2011.
- [16] S. Arnalte, J.C. Burgos, and J.L.R.-amenedo, "Direct torque control of a doubly-fed induction generator for variable speed wind turbines," Journal of Electrical Power Components & Systems, vol. 30, no. 2, pp. 199-216, Feb. 2002.
- [17] D.W. Zhiand, and L. Xu, "Direct power control of DFIG with constant switching frequency and improved transient performance," IEEE Transactions on Energy Conversion, vol. 22, no. 1, pp. 110-118, Mar. 2007.
- [18] L. Yang, Z. Xu, J. Østergaard, Z.Y. Dong, K.P. Wong, and X. Ma, "Oscillatory stability and eigenvalue sensitivity analysis of a DFIG wind turbine system," IEEE Transactions on Energy Conversion, vol. 26, no. 1, pp. 328-339, Mar. 2011.
- [19] M.N. Marwali, and A. Keyhani, "Control of distributed generation systems-Part I: Voltages and currents control," IEEE Transactions on Power Electronics, vol. 19, no. 6, pp. 1541-1550, Nov. 2004.
- [20] Geem ZW, Kim JH and Loganathan GV, A new heuristic optimization algorithm: Harmony search. Simulation, vol. 76, pp. 60-68, 2001.