

A Digitally Programmable Voltage-mode Multifunction Biquad Filter with Single-Output

C. Ketviriyakit, W. Kongnun, C. Chanapromma, P. Silapan

Abstract—This article proposes a voltage-mode multifunction filter using differential voltage current controllable current conveyor transconductance amplifier (DV-CCCCTA). The features of the circuit are that: the quality factor and pole frequency can be tuned independently via the values of capacitors: the circuit description is very simple, consisting of merely 1 DV-CCCCTA, and 2 capacitors. Without any component matching conditions, the proposed circuit is very appropriate to further develop into an integrated circuit. Additionally, each function response can be selected by suitably selecting input signals with digital method. The PSpice simulation results are depicted. The given results agree well with the theoretical anticipation.

Keywords—DV-CCCCTA, Voltage-mode, Multifunction filter

I. INTRODUCTION

IN analog signal processing applications it may be desirable to employ active filters. They can be found in many applications: e.g., communication, measurement and instrumentation and control systems [1-2]. One of most popular analog filters is a multi-function filter since it can provide several functions, depending on desired selections. The literature surveys show that the voltage-mode multifunction filter circuits [3-13] have been reported. Unfortunately, these reported circuits suffer from one or more of following weaknesses:

- Excessive use of the active and/or passive elements [3, 5-6, 7, 9, 11, 13].
- Requirement for changing circuit topologies to achieve several functions [4, 9, 12].
- The pole frequency and quality factor can not be tuned independently [8-9].

In 2010, A reported active element, namely differential voltage current controllable current conveyor transconductance amplifier (DV-CCCCTA) [14], seems to be a versatile component in the realisation of a class of analog signal processing circuits. The fact is that the device can operate in both current and voltage-modes, provides flexibility and enables a variety of circuit designs. In addition, output current of DV-CCCCTA can be electronically adjusted.

C. Ketviriyakit, W. Kongnun, C.Chanapromma and P. Silapan are with the Department of Electrical Computer and Industrial, Faculty of Industrial Technology, Uttaradit Rajabhat University, Uttaradit, Thailand (e-mail: phamorn@mail.uru.ac.th).

The aim of this paper is to propose a voltage-mode multifunction filter, emphasizing on use of the DV-CCCCTA. The features of proposed circuit are that: the proposed multifunction filter can provide completely standard functions (low-pass, high-pass, band-pass, band-reject and all-pass) without changing circuit topology: the circuit description is very simple, it uses 2 capacitors as passive elements, which is suitable for fabricating in monolithic chip or off-the-shelf implementation: quality factor and pole frequency can be independently adjusted. The performances of proposed circuit are illustrated by PSpice simulations, they show good agreement as mentioned.

II. CIRCUIT CONFIGURATION

A. Basic Concept of DV-CCCCTA

This section describes the principle of DV-CCCCTA, it was proposed by A. Jantakaun and M. Siriruchyanun in 2010. Figs 1(a) and (b) illustrate the schematic symbol and equivalent circuit of DV-CCCCTA, respectively. In ideal case, the relationship of voltage and current of DV-CCCCTA can be shown by (1)

$$\begin{bmatrix} V_x \\ I_{y1} \\ I_{y2} \\ I_z \\ I_o \end{bmatrix} = \begin{bmatrix} R_x & 1 & -1 & 0 & 0 \\ 0 & 0 & 0 & 0 & 0 \\ 0 & 0 & 0 & 0 & 0 \\ 1 & 0 & 0 & 0 & 0 \\ 0 & 0 & 0 & \pm g_m & 0 \end{bmatrix} \begin{bmatrix} I_x \\ V_{y1} \\ V_{y2} \\ V_z \\ V_o \end{bmatrix} \quad (1)$$

Since the DV-CCCCTA is design by BJT technology, R_x and g_m can be expressed as

$$\text{where } R_x = \frac{V_T}{2I_{B1}}, \quad (2)$$

$$\text{and } g_m = \frac{I_{B2}}{2V_T}, \quad (3)$$

R_x and g_m are the parasitic resistance and transconductances of the DV-CCCCTA at x and o terminals, respectively. They can be adjusted via bias currents. V_T is the thermal voltage, its values is about 26mV at 27°C .

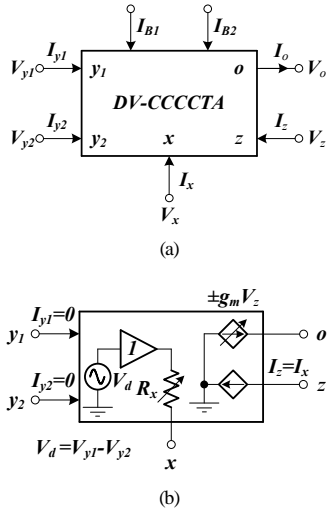


Fig. 1 DV-CCCCTA (a) schematic symbol, (b) equivalent circuit

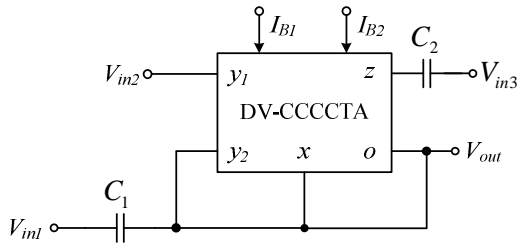


Fig. 2 Circuit diagram of voltage-mode filter.

B. Proposed Multi-function Voltage-mode filter

The proposed voltage-mode filter using DV-CCCCTA is shown in Fig. 2 where I_{B1} and I_{B2} are bias currents of the DV-CCCCTA. It comprises 1 DV-CCCCTA and 2 floating capacitors. By routine of analysis circuit in Fig. 2 and using the properties of DV-CCCCTA as explained in Section II.A, the output current and voltage at x terminal (I_x and V_x) of DV-CCCCTA is obtained

$$I_x = (V_{in1} - V_{out})C_1s + I_o, \tag{3}$$

and

$$V_{out} = V_{in2} - V_{out} + I_x R_x. \tag{4}$$

From (4), the I_x can be expressed as

$$I_x = (2V_{out} - V_{in2})/R_x. \tag{5}$$

From the properties of DV-CCCCTA, the current at o terminal can be found to be

$$I_o = g_m V_z = [g_m (R_x C_2 s V_{in3} + V_{in2} - 2V_{out})]/R_x C_2 s. \tag{6}$$

From (5) and (6), the voltage output (V_{out}) can be ultimately obtained

$$V_{out} = \frac{R_x C_1 C_2 s^2 V_{in1} + V_{in2} (C_2 s + g_m) + R_x g_m C_2 s V_{in3}}{R_x C_1 C_2 s^2 + C_2 s + 2g_m} \tag{7}$$

From (7), the amplitudes of input voltages V_{in1} , V_{in2} and V_{in3} are selected as Table 1 by digital method to obtain a standard function of the 2nd order network. From (7), the pole frequency (ω_0) and quality factor (Q_0) of each filter response can be expressed as

$$\omega_0 = \sqrt{\frac{2g_m}{R_x C_1 C_2}} = \frac{1}{V_T} \sqrt{\frac{2I_{B1} I_{B2}}{C_1 C_2}}, \tag{8}$$

And

$$Q_0 = \sqrt{\frac{2R_x C_1 g_m}{C_2}} = \sqrt{\frac{C_1 I_{B2}}{2C_2 I_{B1}}}, \tag{9}$$

In addition, bandwidth (BW) of the system can be expressed by

$$BW = \frac{1}{R_x C_1} = \frac{2I_{B1}}{V_T C_1}, \tag{10}$$

For simple consideration, if we set $C_1 = C_2 = C$, then (8) and (9) are subsequently modified to

$$\omega_0 = \frac{1}{CV_T} \sqrt{2I_{B1} I_{B2}}, \tag{11}$$

and

$$Q_0 = \sqrt{\frac{I_{B2}}{2I_{B1}}}. \tag{12}$$

From (11) and (12), it can be clearly seen that the ω_0 and Q_0 can be independently controlled by C .

TABLE I

THE V_{in1} , V_{in2} AND V_{in3} VALUES FOR EACH FILTER FUNCTION RESPONSE

Filter Responses	Input		
V_o	V_{in1}	V_{in2}	V_{in3}
BP ($R_x=1/g_m$)	0	0	1
HP	1	0	0
LP ($R_x=1/g_m$)	0	2	-2
BR ($R_x=1/g_m$)	1	2	-2
AP ($R_x=1/g_m$)	1	2	-3

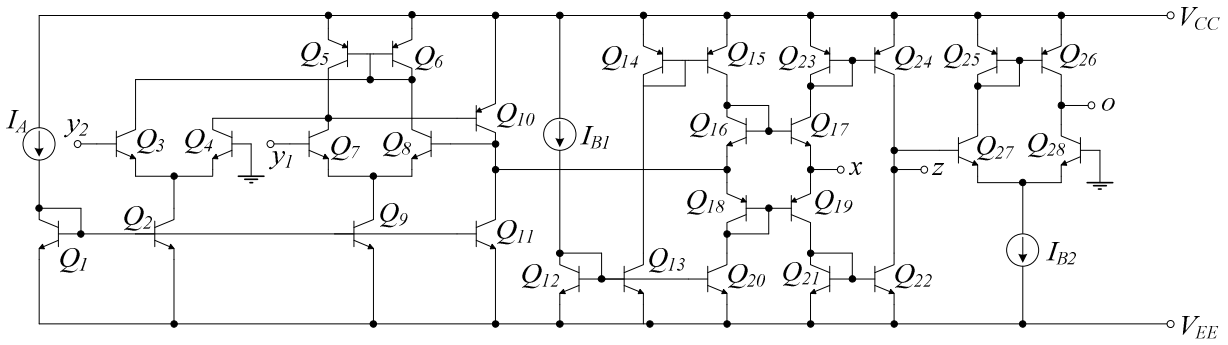


Fig. 3 Internal construction of DV-CCCCTA

III. SIMULATION RESULTS

The performances of the proposed voltage-mode filter have been tested by PSpice simulation. This work employed a DV-CCCCTA realized by a BJT technology. The PNP and NPN transistors employed in the proposed circuit as shown in Fig. 3 were simulated by respectively using the parameters of the PR200N and NR200N bipolar transistors of ALA400 transistor array from AT&T [15] with $\pm 2V$ supply voltages, $I_A = 100\mu A$. Fig. 3 depicts the schematic description of DV-CCCCTA used in the simulations. Table I shows the parameters of BJT where it is used in the proposed circuit.

TABLE II
PARAMETER OF BIPOLAR JUNCTION TRANSISTOR

NPN

.MODEL NR200N NPN(RB=262.5 IRB=0 RBM=12.5 RC=25 RE=0.5
+IS=242E-18 EG=1.206 XTI=2 XTB=1.538 BF=137.5
+IKF=13.94E-3 NF=1 VAF=159.4 ISE=72E-16 NE=1.713
+BR=0.7258 IKR=4.396E-3 NR=1 VAR=10.73 ISC=0 NC=2
+TF=0.425E-9 TR=0.425E-8 CJE=0.428E-12 VJE=0.5
+MJE=0.28 CJC=1.97E-13 VJC=0.5 MJC=0.3 XCJC=0.065
+CJS=1.17E-12 VJS=0.64 MJS=0.4 FC=0.5)

PNP

.MODEL PR200N PNP(RB=163.5 IRB=0 RBM=12.27 RC=25 RE=1.5
+IS=147E-18 EG=1.206 XTI=1.7 XTB=1.866 BF=110
+IKF=4.718E-3 NF=1 VAF=51.8 ISE=50.2E-16 NE=1.650
+BR=0.4745 IKR=12.96E-3 NR=1 VAR=9.96 ISC=0 NC=2
+TF=0.610E-9 TR=0.610E-8 CJE=0.36E-12 VJE=0.5
+MJE=0.28 CJC=0.328E-12 VJC=0.8 MJC=0.4 XCJC=0.074
+CJS=1.39E-12 VJS=0.55 MJS=0.35 FC=0.5)

The results shown in Fig. 4 are the gain and phase responses of the proposed biquad filter obtained from Fig. 2 with different functions as shown Table 1, where I_{B1} , and I_{B2} are equal $20\mu A$ and $80\mu A$. There are clearly seen that the proposed biquad filter can provide low-pass, high-pass, band-pass, band-reject and all-pass functions dependent on selection as shown in Table I, without modifying major circuit topology.

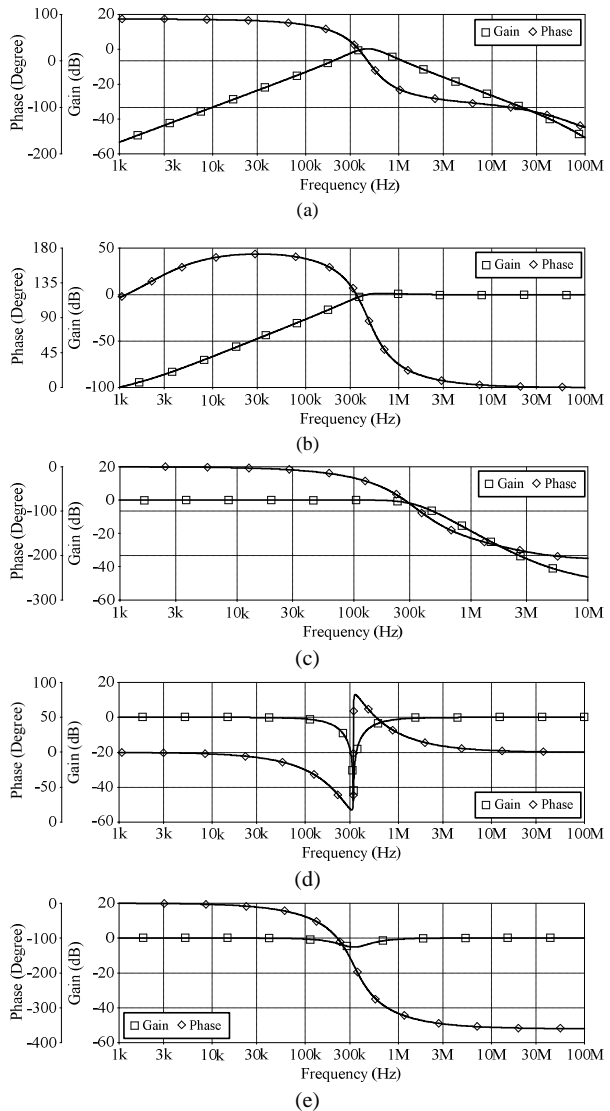


Fig. 4 Normalized magnitude and phase responses of the biquad filter (a) BP (b) HP (c) LP (d) BR (e) AP

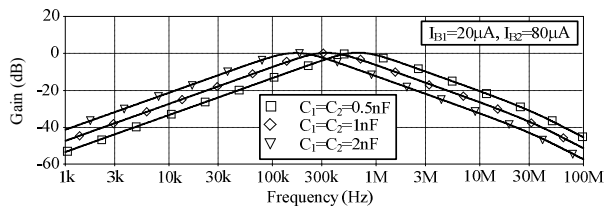


Fig. 5 Band-pass responses at different values of C

Fig. 5 displays the gain of Band-pass responses at different values of C. From this result, it can be found that if $C_1 = C_2$, the Q_0 and ω_0 can be independently adjusted by C.

IV. CONCLUSION

The voltage-mode multifunction biquadratic filter base on DV-CCCCTA has been presented. The features of the proposed circuit are that: it performs low-pass, high-pass, band-pass, band-reject and all-pass functions with only single output depending on a digital selection method of input terminals as given in Table 1: the quality factor and the pole frequency can be independently controlled via values of capacitors. In addition, from simulation results, the proposed circuit can work at low supply voltages ($\pm 2V$), low power consumption. The circuit description consists of only 1 DV-CCCCTA and 2 floating capacitors. By the way, from Table 1, the proposed voltage-mode biquad filter can be easily improved to achieve digital programmability, by adding digitally selective circuit [16]. With mentioned features, it is very suitable to realize the proposed circuits in monolithic chip for use in battery-powered, portable electronic equipments such as wireless communication system devices.

REFERENCES

- [1] A. S. Sedra, and K. C. Smith, Microelectronic circuits, 3rd ed., Florida: Holt, Rinehart and Winston, 1991.
- [2] M. A. Ibrahim, S. Minaei, and H. A. Kuntman, "A 22.5 MHz currentmode KHN-biquad using differential voltage current conveyor and grounded passive elements," *Int. J. Electron. Commun. (AEU)*, vol. 59, pp. 311-318, 2005.
- [3] C. Chang and M.S. Lee, "Universal voltage-mode filter with three inputs and one output using three current conveyors and one voltage follower," *Electron. Lett.*, vol. 30, pp. 2112-2113, 1994.
- [4] C.M. Chang, "Multifunction biquadratic filters using current conveyors," *IEEE Trans. Circuits Syst. II*, vol. 44, pp. 956-958, 1997.
- [5] C.M. Chang and S.H. Tu, "Universal voltage-mode filter with four inputs and one output using two CCII+s," *Int. J. Electron.*, vol. 86, pp. 305-309, 1999.
- [6] J.W. Horng, C.C. Tsai, and M.H. Lee, "Novel universal voltage-mode biquad filter with three inputs and one output using only two current conveyors," *Int. J. Electron.*, vol. 80, pp. 543-546, 1996.
- [7] J.W. Horng, J.R. Lay, C.W. Chang and M.H. Lee, "High input impedance voltage-mode multifunction filters using plus-type CCII," *Electron. Lett.*, vol. 33, pp. 472-473, 1997.
- [8] J.W. Horng, "High-input impedance voltage-mode universal biquadratic filter using three plus-type CCII," *IEEE Trans. Circuits Syst. II*, vol. 48, pp. 996-997, 2001.
- [9] J.W. Horng, "High-input impedance voltage-mode universal biquadratic filter using three plus-type CCII," *Int. J. Electron.*, vol. 8, pp. 465-475, 2004.
- [10] M.A. Ibrahim, S. Minaei, and H.A. Kuntman "A 22.5 MHz currentmode KHN-biquad using differential voltage current conveyor

and grounded passive elements," *Int. J. Electron Coms (AEU)*, vol. 59, pp. 311-318, 2005.

- [11] S.I. Liu and J.L. Lee, "Voltage-mode universal filters using two current conveyors," *Int. J. Electron.*, vol. 82, pp. 145-150, 1997.
- [12] B. Metin, E. Yuces and O. Cicekoglul, "A Novel dual output universal filter topology using a single current conveyor," *Electrical Engineering*, vol. 89, pp. 563-567, 2007.
- [13] C. Chanapromma, W. Jaikla and M. Siripruchyanun, "A Digitally Programmable Voltage-Mode Multi-function Filter Using CCDVCCs," *The 2009 International Symposium on Communications and Information Technologies (ISCIT 2009)*, Incheon, Korea, pp. 897-900, 2009.
- [14] A. Jantakun and M. Siripruchyanun, "Single Element Based Electronically Controllable Floating Positive and Negative Inductance Simulators and Its Applications," *The 3rd Joint International Information & Communication Technology, Electronic and Electrical Engineering (JICTEE 2010)*, Luangprabang, Lao PDR, pp. 321-325, 2010
- [15] D.R. Frey "Log-domain filtering: an approach to current-mode filtering," *IEE Proc. Circuit Devices Syst.*, vol. 140, pp. 406-416, 1993.
- [16] Y. Maruyama, A. Hyogo, and K. Sekine, "A digitally programmable CMOS biquad filter using current-mode integrators," *IEICE trans. on fundamentals*, vol. E85-A, no. 2, pp. 316-323, 2002.



Chatchaphon Ketviriyakit received the B. Eng. degree in Electrical Engineering from Kasem Bundit University, Thailand in 1997, the M. Ed. degree from Narasuan University in 1999. Presently, he works with Department of Electrical Computer and Industrial, Faculty of Industrial Technology, Uttaradit Rajabhat University, Uttaradit, Thailand since 2004. His research interests include electronic circuit, power electronics and its application.



Weerapon Kongnun received the B. Eng. degree in Instrument Engineering and the M. Eng. degree in Electrical Engineering from King Mongkut's Institute of Technology Ladkrabang (KMUTL) in 1999 and 2002. Presently, he works with Department of Electrical Computer and Industrial, Faculty of Industrial Technology, Uttaradit Rajabhat University, Uttaradit, Thailand since 2004. His research interests include electronic circuit, microcontroller, power electronics and its application.



Chaiyan Chanapromma received his B. Tech. Ed. degree in electrical Engineering from the King Mongkut's Institute of Technology North Bangkok (KMUTNB) and the M.Eng. from the Mahanakorn University of Technology (MUT) Thailand, in 2006, and 2008, respectively. Presently, he has been with Department of Electrical Computer and Industrial, Faculty of Industrial Technology, Uttaradit Rajabhat University, Uttaradit, Thailand since 2009. His research interests include electronic communications, analog signal processing and analog integrated circuit. His biography has published in Marquis Who's Who 2011-2012 in the topic of science and engineering.



Phamorn Silapan received the B. Eng. degree in electrical engineering from Mahanakorn University of Technology, Thailand in 2002, the Master of Tech. Ed. in Electrical Technology and Ph.D. in Electrical Education from King Mongkut's University of Technology North Bangkok (KMUTNB) in 2005 and 2011, respectively. Now, He has been with Department of Electrical Computer and Industrial, Faculty of Industrial Technology, Uttaradit Rajabhat University, Uttaradit, Thailand since 2006. His research interests include electronic communications, analog signal processing and analog integrated circuit. His biography has published in Marquis Who's Who 2011-2012 in the topic of science and engineering.